



SUNLIGHT™
SOLAR LIGHTING CONTROLLER

Morningstar's advanced *SunLight* solar lighting controller combines the *SunSaver* design with a microcontroller for automatic lighting control functions.

This technology provides:

- Proven Reliability
- Precise Lighting Control
- PWM Battery Charging

Operation:

- Rotary digital switch to select among 10 lighting options (see back)
- Test button flashes red LED to confirm correct rotary switch selection
- Test button turns lights on for 5 minutes (in LVD limited to 3 times)
- LVD overrides lighting timer
- Sunrise overrides lighting timer
- Timer accuracy is within 2 seconds

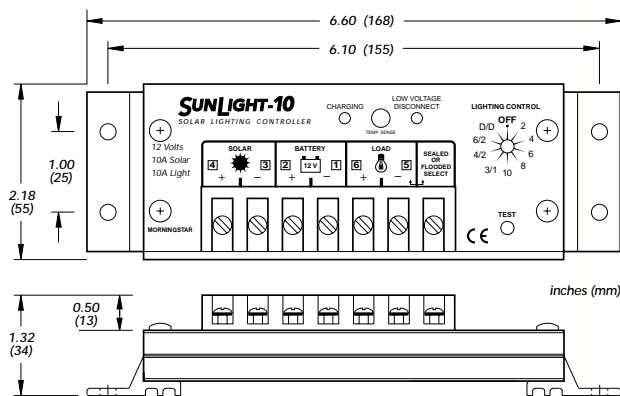
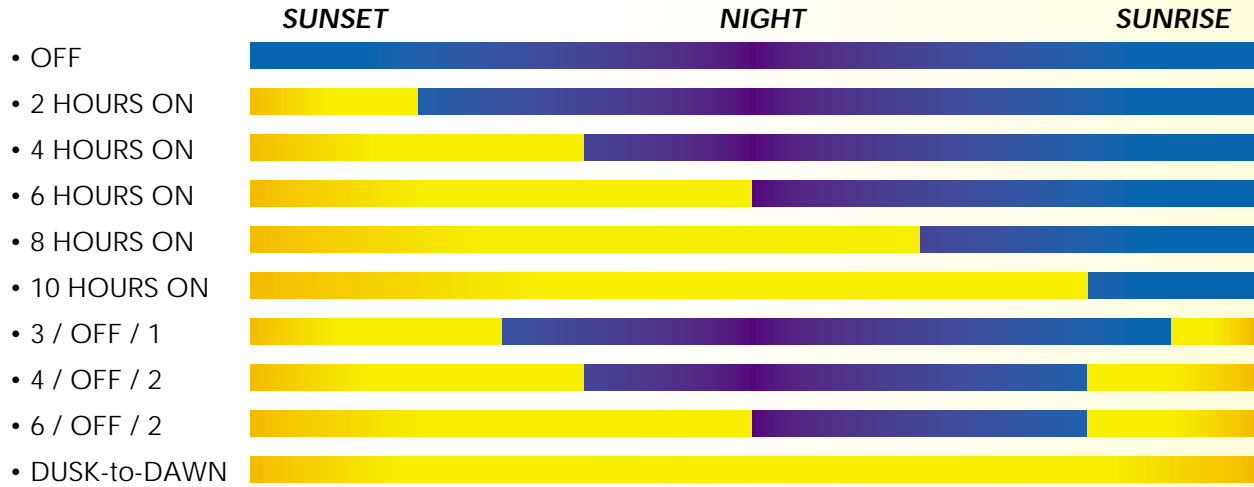
Four Versions Available:

- 12 Volt: 10 and 20 amp ratings
- 24 Volt: 10 and 20 amp ratings

Features:

- Microcontroller digital accuracy
- Fully automatic operation
- Ten field adjustable lighting control options
- Special on/off/on functions
- Manual test capability
- LVD override protection
- Detects day and night using the PV array
- Suitable for all 12/24 Vdc lamps
- Sealed/Flooded battery select
- Temperature compensation
- Parallel with a SunSaver for 40 amps solar
- Includes SunSaver battery charging circuit

Lighting Control Options

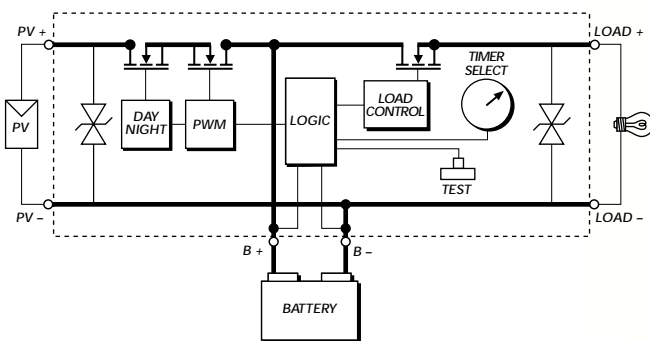


Mechanical Specifications

- Wire size #10 AWG (5.2 mm²)
- Anodized aluminum case
- Marine rated terminals
- Epoxy encapsulated
- Weight is 9 oz (0.26 kg)

Electrical Specifications

| | 12 Volt | 24 Volt |
|----------------------|--------------|---------|
| Rated Solar Input | 10/20 A | 10/20 A |
| Rated Load | 10/20 A | 10/20 A |
| 25% Current Overload | 5 min. | 5 min. |
| Regulation Voltage: | | |
| Sealed Battery | 14.1 V | 28.2 V |
| Flooded Battery | 14.4 V | 28.8 V |
| Load Disconnect | 11.7 V | 23.4 V |
| LVD Reconnect | 12.8 V | 25.6 V |
| Temp. Comp. (mV/°C) | -27 | -54 |
| Self-consumption | 8 mA | 9 mA |
| Operating Temp. | -40 to +85°C | |



WARRANTY: Five year warranty period. Contact Morningstar or your authorized distributor for complete terms.

AUTHORIZED MORNINGSTAR DISTRIBUTOR:



1098 Washington Crossing Road
 Washington Crossing, PA 18977 USA
 Tel: 215-321-4457 Fax: 215-321-4458
 E-mail: info@morningstarcorp.com
 Website: www.morningstarcorp.com

